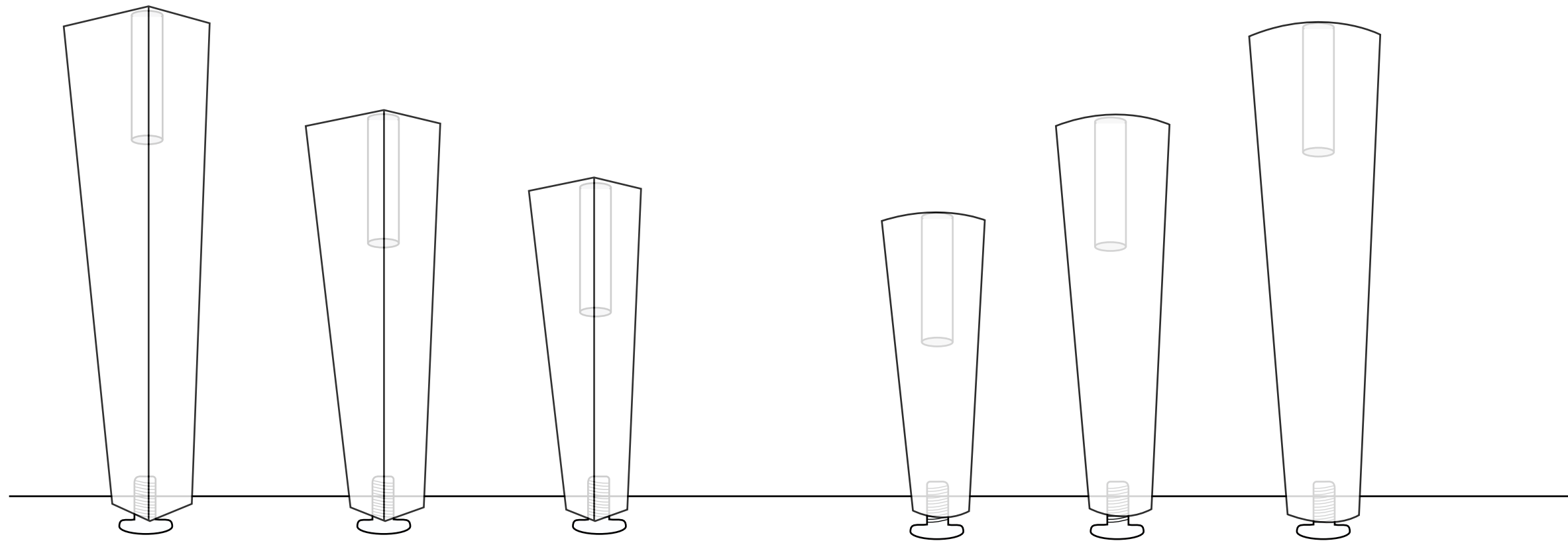
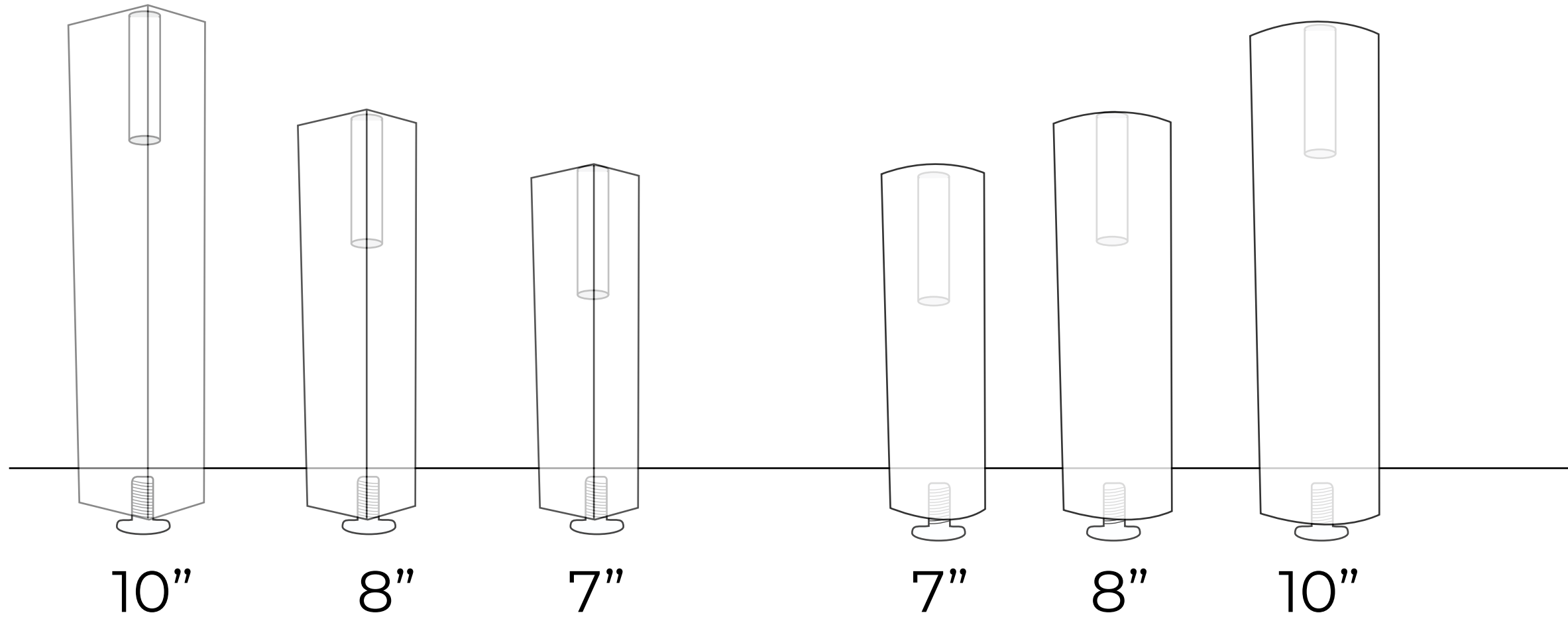


DANIEL DONNELLY

Understanding Good Legs

Square

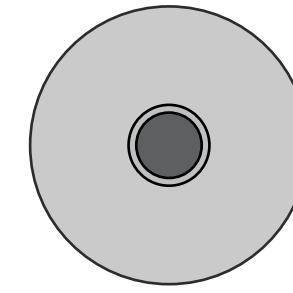
Round



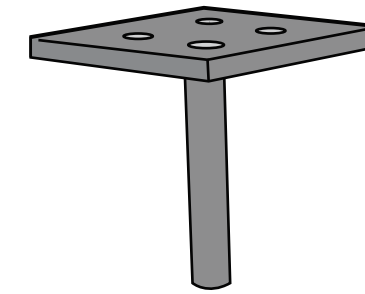
Square Tapered

Round Tapered

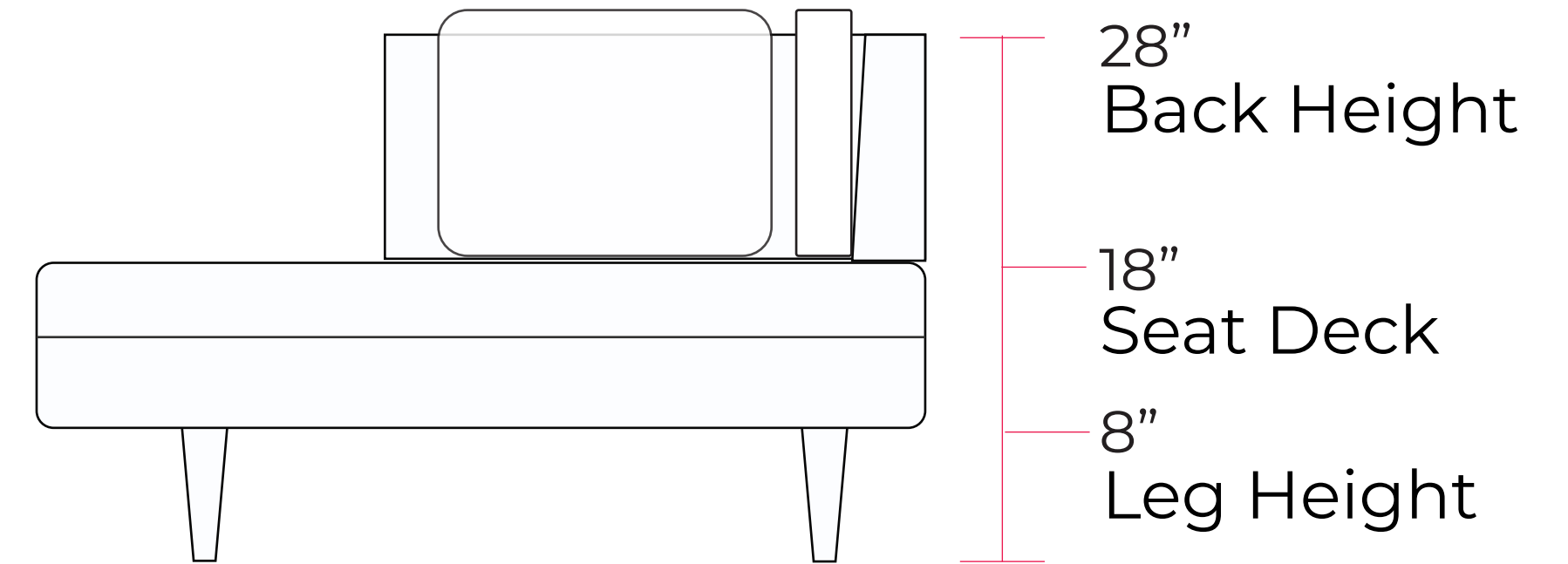
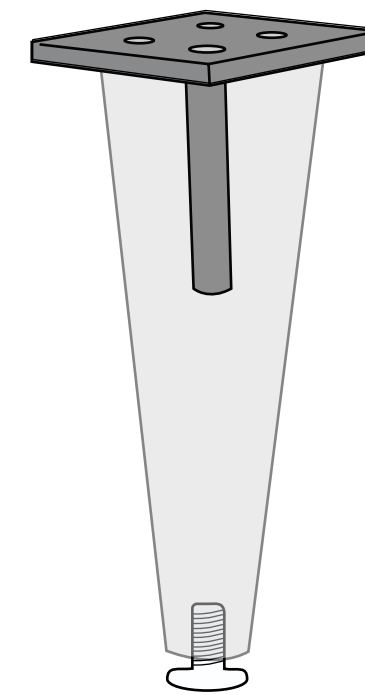
Leg top surface



Heavy Duty Steel Mounting Pin



Fully Assembled Leg



Leg height is critical to ensure max comfort. We offer a range of heights and styles to dial in a perfect leg. Available in Aluminum, Wood, Brass; with or without leveling glides.

Available Wood Leg Species:

- 100 - Maple (standard)
- 200 - American Walnut
- 300 - Ebonized Ash
- 400 - Mahogany
- 500 - Teak
- 600 - Rosewood